

# W32L100-MRA1FP

## 32" 4K UHD Marine Display



### KEY FEATURES

- 32" 3840 x 2160 resolution with projective capacitive multi-touch screen
- Edge to edge narrow bezel design and fanless cooling system
- OSD Key For quick mode changing between ECDIS DAY, DUSK, and NIGHT mode
- 9~36 V DC to DC power input acceptable (Isolation Resistance)
- Meet the requirements of industrial marine standards, compatible with IEC60945 4th Edition, DNVGLCG0339, IACS E10
- Color calibrated for ECDIS compliance (Optional)

### INTRODUCTION

The Winmate 4K Marine Display Series comes in sizes from 27" to 55". It offers a clear 3840 x 2160 resolution, and the projective capacitive multi-touch screen enables precise navigation and control. These displays feature narrow bezels and a fanless cooling system for a sleek look and efficient thermal performance. Certified with IEC60945 4th, IACS E10, and DNV-CG-0339, ensuring durability and reliability in maritime environments. With OSD keys for quick switching between ECDIS DAY, DUSK, and NIGHT modes, along with optional color calibration for ECDIS compliance, the series performs well in demanding marine settings. Its wide 9 to 36 V DC input range further enhances suitability for navigation and control applications.

### SPECIFICATIONS

#### Display

<b>Resolution</b>	3840x2160	<b>Size</b>	32.0 inches
<b>Contrast Ratio</b>	1000:1	<b>Panel Brightness</b>	350.0 nits
<b>Display Color</b>	1.07B Colors	<b>View Angles</b>	89,89,89,89
<b>Active Area</b>	708.48x398.52 mm	<b>Touch / Glass</b>	Projected Capacitive Multi Touch Screen (AR Coating) AG film (Optional) AR Glass (Optional)

#### Environment

<b>Operating Humidity</b>	5% to 95%	<b>Operating Temperature</b>	-15~55°C
<b>Shock</b>	15G, 11ms duration	<b>Vibration</b>	0.7g@DNV-CG-0339 (Class A)
<b>IP rating</b>	IP66 (Front Side)		

#### Certification

<b>Certification</b>	CE, FCC DNV-CG-0339, IEC60945 4th, IACS E10
----------------------	--

#### IO Ports

<b>USB Port</b>	1 x USB for Touch Screen	<b>Serial Port</b>	1 x RS232 for remote control
<b>Video</b>	1 x VGA 1 x DVI-D	<b>Buzzer</b>	75 dB~80 dB, 2300 Hz, 1m

2 x HDMI 2.0  
1 x DP

### Mechanical

<b>Dimension</b>	795 x 524 x 75.5 mm	<b>Weight</b>	18.5 kg
<b>Mounting</b>	VESA mount/Panel mount	<b>Enclosure</b>	Anodized Aluminum Bezel
<b>Cooling System</b>	Fanless Design	<b>Cut out</b>	770 x 500 mm

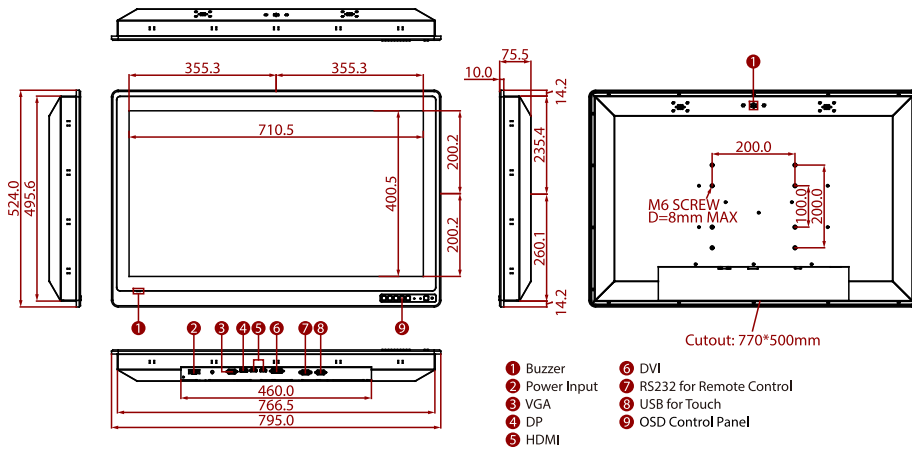
### Power

<b>Power Rating</b>	24V DC-in with Isolation (Approval by Certificate) 9~36V DC Input Acceptable	<b>Consumption</b>	65W (Typical)
---------------------	---	--------------------	---------------

### Accessory

- Accessory**
- User Manual
  - AC to DC Adapter
  - Power Cord
  - 3 Pin Terminal Block
  - 1 x VGA cable
  - 1 x DVI cable
  - 1 x DP cable
  - 2 x HDMI cable
  - 1 x RS232 cable
  - 1 x USB cable

## DIMENSIONS UNIT:MM



### NOTE

1. This is a simplified drawing and some components are not marked in detail.
2. Please contact our sales representative if you need further product information.
3. All specifications are subject to change without prior notice.
4. The product shown in this datasheet is a standard model. For diagrams that contain customized or optional I/O, please contact the Winmate Sales Team for more information.