

# W24L100-MRA1

24" Marine Display



## KEY FEATURES

- Dimming knob control backlight brightness from nearly 0% to 100%
- IP66 aluminum housing with powder coating design (IP54 rear)
- 24V DC Isolated Power Module
- High quality touchscreen / AR protection glass for option
- Ease of use front panel OSD control Marine Display
- Enhanced shock and vibration resistance

## INTRODUCTION

Winmate Marine Display Series provides reliable and durable performance for maritime environments, available in sizes from 10.1" to 24". Certified with DNVGL-CG-0339, IEC60945 4th, and IACS E10 standards, these displays ensure compliance with marine industry requirements. Featuring an IP66 aluminum housing with powder coating (IP54 rear), a dimming knob for precise backlight control, and enhanced shock and vibration resistance, they are built for harsh conditions. With optional touchscreen or AR protection glass, multi-video inputs, and user-friendly front panel OSD controls, these displays are ideal for navigation and control applications.

## SPECIFICATIONS

### Display

<b>Resolution</b>	1920x1080	<b>Size</b>	24.0 inches
<b>Contrast Ratio</b>	5000:1	<b>Panel Brightness</b>	300.0 nits
<b>Display Color</b>	16.7M Colors	<b>View Angles</b>	89,89,89,89
<b>Active Area</b>	531.36x298.89 mm	<b>Touch / Glass</b>	Resistive Touch Screen AR Glass (Optional)

### Environment

<b>Operating Humidity</b>	5% to 95%	<b>Operating Temperature</b>	-15~55°C
<b>Shock</b>	15G, 11ms duration	<b>Vibration</b>	0.7g@DNV-CG-0339 (Class A)
<b>IP rating</b>	IP66 (Front Side)		

### Certification

<b>Certification</b>	CE, FCC DNV-CG-0339, IEC60945 4th, IACS E10
----------------------	------------------------------------------------

### IO Ports

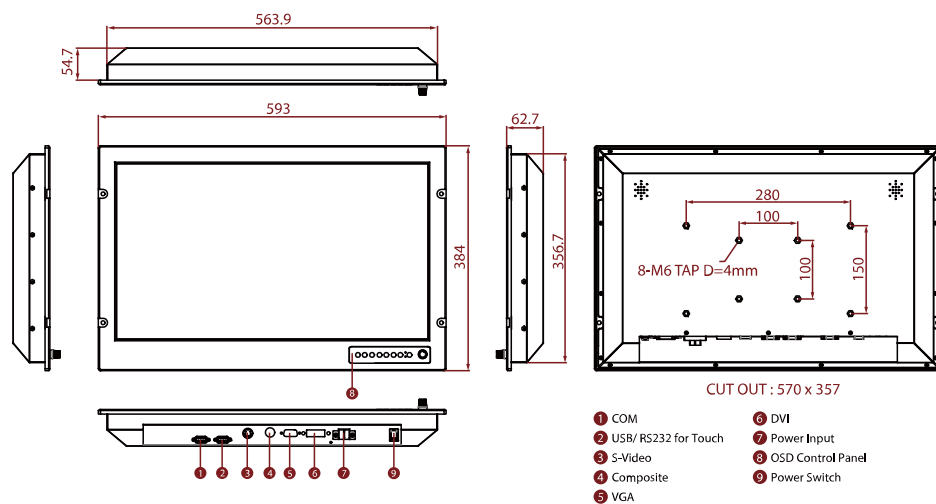
<b>Serial Port</b>	1 x RS232 for Remote Control 1 x RS232/USB for Touch Screen	<b>Video</b>	1 x VGA 1 x DVI-D 1 x Composite 1 x S-Video
--------------------	----------------------------------------------------------------	--------------	------------------------------------------------------

### Mechanical

<b>Dimension</b>	593 x 356.7 x 62.7	<b>Weight</b>	9.7 kg
<b>Mounting</b>	VESA mount/Panel mount	<b>Enclosure</b>	Metal Housing with Aluminum Bezel

<b>Cooling System</b>	Fanless Design	<b>Cut out</b>	566 x 362 mm
<b>Power</b>			
<b>Power Rating</b>	24V DC-in with Isolation (Approval by Certificate) 9~36V DC Input Acceptable	<b>Consumption</b>	50W (Typical)
<b>Accessory</b>			
<b>Accessory</b>	1 x User Manual. 1 x DVI Cable. 1 x VGA Cable. 1 x RS232 Serial Cable. 1 x S-Video Cable. 1 x Composite Cable.		
<b>Control</b>			
<b>Button</b>	8 key: Esc/PIP Auto adjustment Left Right/Source OK/Menu Up Down Power 1 x The Dimming Knob		

## DIMENSIONS UNIT:MM



## NOTE

1. This is a simplified drawing and some components are not marked in detail.
2. Please contact our sales representative if you need further product information.
3. All specifications are subject to change without prior notice.
4. The product shown in this datasheet is a standard model. For diagrams that contain customized or optional I/O, please contact the Winmate Sales Team for more information.