

R12IT3S-MRM2

12.1" Intel® Core™ i7-1165G7 Marine Panel PC



KEY FEATURES

- Intel® Core™ i7-1165G7 processor marine panel PC
- Dimming knob control backlight brightness from nearly 0% to 100%
- 9~36V DC power input acceptable
- Panel (flush) mount IP66 aluminum housing with powder coating design

INTRODUCTION

Winmate Marine Panel PC Series is purpose-built for maritime environments, offering sizes from 10.4" to 24" with a rugged aluminum housing and an IP66-rated panel mount design. In compliance with DNVGL-CG-0339, IEC 60945, and IACS-E10 standards, these panel PCs deliver reliable performance in demanding marine applications. Equipped with hyper dimming technology for seamless brightness adjustment from 0% to 100% and optional transfective film for enhanced outdoor visibility, they ensure safe operation in all lighting conditions. With versatile OS support, 9~36V DC power input, and robust construction, these PCs are ideal for navigation and monitoring systems.

SPECIFICATIONS

Display

Resolution	1024x768	Size	12.1 inches
Contrast Ratio	1000:1	Panel Brightness	500.0 nits
View Angles	89,89,89,89	Active Area	245.76x184.32 mm
Touch / Glass	Resistive Touch Screen (Default) AR Glass (Optional)		

System Specification

Processor	Intel Core i7-1165G7 2.8GHz (up to 4.7GHz)	Memory	4GB (Default) 8GB (Optional) 16GB (Optional) 32GB (Optional)
Storage	128GB (Default) 256GB (Optional) 512GB (Optional) 1TB (Optional) 2TB (Optional) 4TB (Optional)	Ethernet controller	2 x 2.5 Giga LAN RJ45 Connector
Operating System	*Note: Only Windows 11 support Wake on touch Windows 11 IoT Enterprise (64 bit) (Default) Windows 11 Pro 64 bit (Optional) Windows 10 IoT Enterprise (64 bit) (Optional)		

Environment

Operating Humidity	5% to 95%	Operating Temperature	-15~55°C
Shock	15G, 11ms duration	Vibration	0.7g@DNV-CG-0339 (Class A)

IP rating IP66 (Front Side)

Certification

Certification CE, FCC

Mechanical

Dimension	336 x 293.2 x 50 mm	Weight	4.5 kg
Mounting	VESA mount/Panel mount	Enclosure	Metal Housing with Aluminum Bezel
Cooling System	Fanless Design	Cut out	307 x 253mm

IO Ports

USB Port	2 x USB 3.0	Serial Port	1 x RS232 (Default) 2 x RS232 or 2 x Isolation RS422/485 (Optional)
Video	(Default) 1 x HDMI (Optional)	LAN	2 x RJ45-10/100/1000 Mbps

Accessory

Accessory Driver CD & User Manual
4 x M6 Black Screw Bolt with M6 Nut
1 x AC Adapter 12V/ 84W
1 x Power Cord

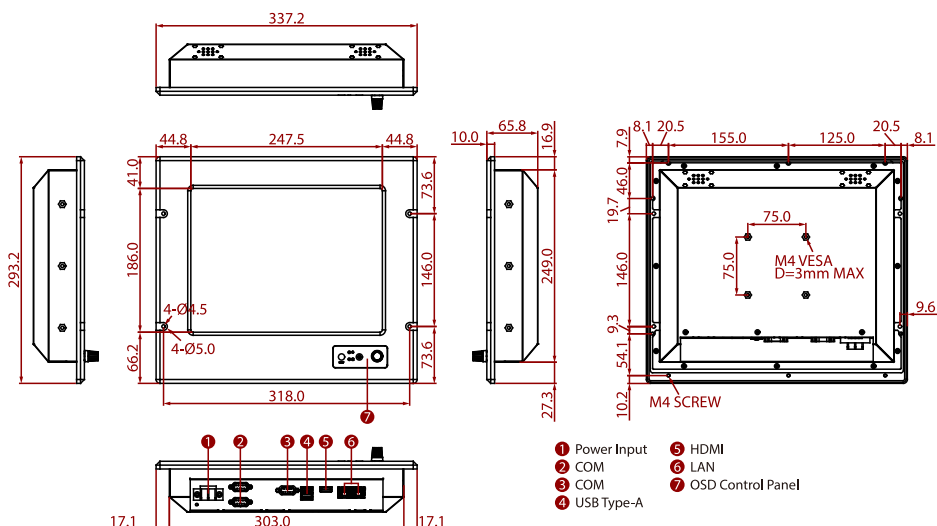
Power

Power Rating	9~36V DC Input Acceptable	Consumption	55W (Typical)
--------------	---------------------------	-------------	---------------

Control

Button 1 x Power Button
1 x Reset Button
1 x The Dimming Knob

DIMENSIONS UNIT:MM



NOTE

1. This is a simplified drawing and some components are not marked in detail.
2. Please contact our sales representative if you need further product information.
3. All specifications are subject to change without prior notice.
4. The product shown in this datasheet is a standard model. For diagrams that contain customized or optional I/O, please contact the Winmate Sales Team for more information.